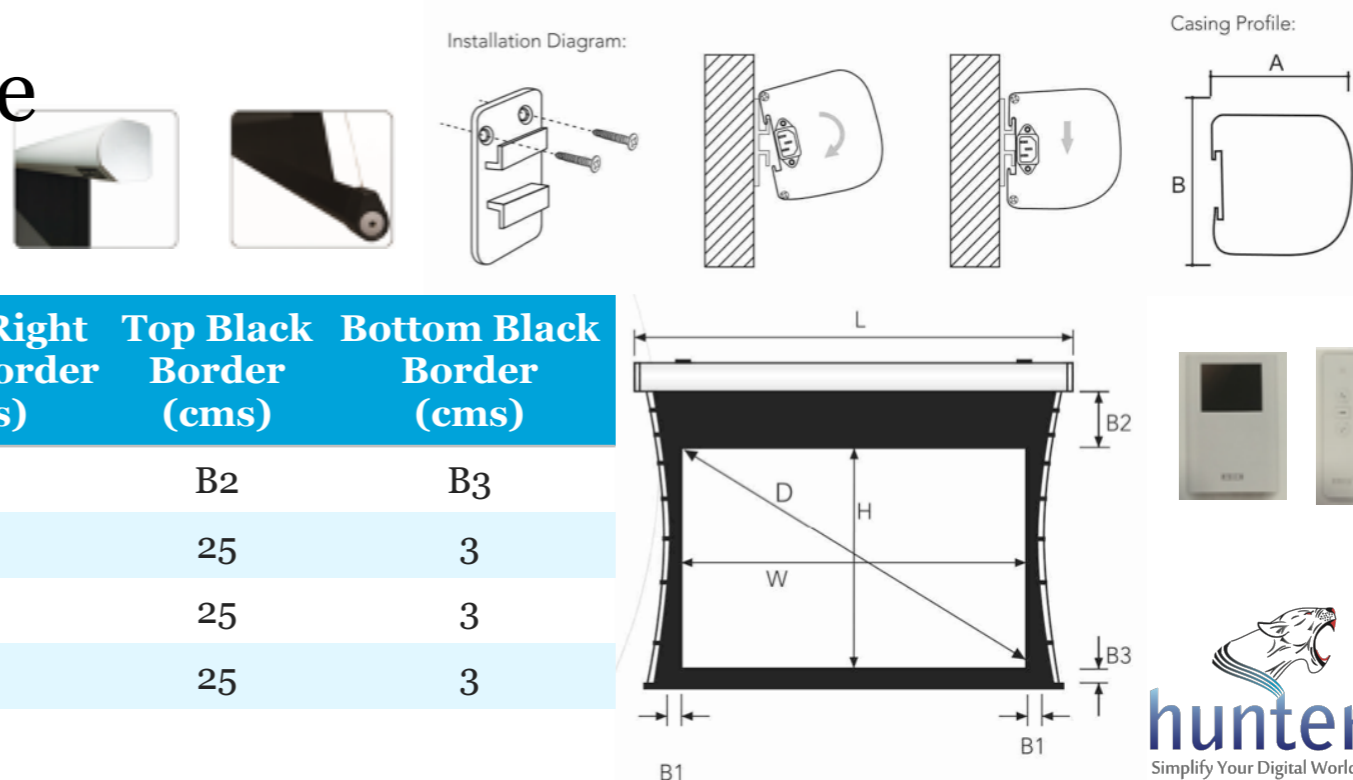


## Tab Tensioned Motorised Screens 16:9 Format

# Tab Tensioned Motorised Screens

Optional  
IR Remote  
with Wall  
Switch

- Metal 3D Fabric
- Wired & Remote Access  
- RF Remote
- Unique borders with cable ensure flat surface

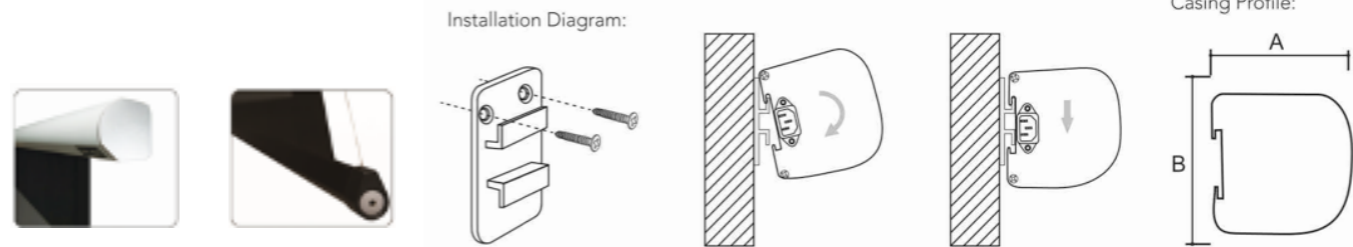


Product Code	Ratio	Diagonal Size (inches)	Viewing W (cms)	Size H (cms)	Left & Right Black Border (cms)	Top Black Border (cms)	Bottom Black Border (cms)
		D	W	H	B1	B2	B3
9125	16:9	120"	264	148	3	25	3
9126	16:9	135"	294	165	3	25	3
9127	16:9	150"	332	187	3	25	3

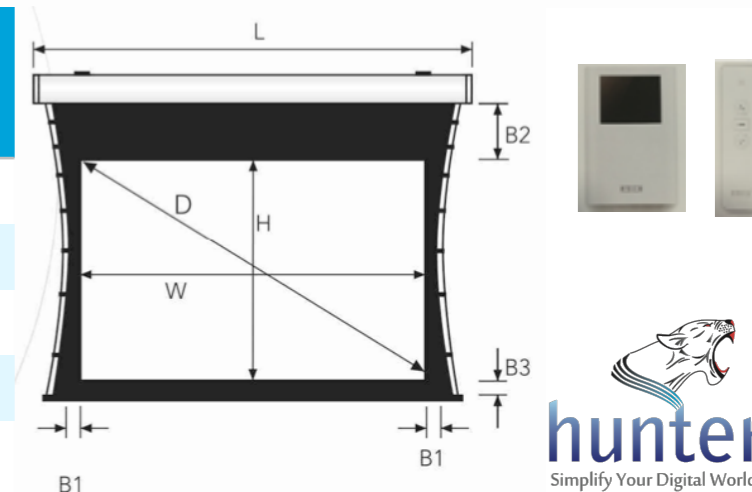
## Tab Tensioned Motorised Screens

Optional IR Remote with Wall Switch

- Metal 3D Fabric
- Wired & Remote Access - RF Remote
- Unique borders with cable ensure flat surface



Product Code	Ratio	Diagonal Size (inches)	Viewing W (cms)	Size H (cms)	Left & Right Black Border (cms)	Top Black Border (cms)	Bottom Black Border (cms)
		D	W	H	B1	B2	B3
9090	16:10	120"	264	165	3	25	3
9091	16:10	135"	294	183	3	25	3
9092	16:10	150"	323	202	3	25	3



# Hunter HGPLR Projection Screen

## What is Hunter HGPLR Projection Screen

**HGPLR** stands for High Gain Polarised and Light Reducing Screen. Made with utmost precision using latest technologies, Metal 3D is a specialty material designed to optimise stereoscopic, two-channel 3D displays. Metal 3D employs special metallic elements formulated to preserve light polarisation. The high gain and high contrast of this fabric helps compensate for the losses incurred. Metal 3D offers a higher gain than competing fabrics with similar gain specificities. The open-close ratio of Metal 3D — otherwise known as the ratio of extinction — is the industry benchmark for front projection fabrics. This screen material is both high in gain and high in contrast, making it an ideal 3D fabric for a superior viewing.

**HGPLR  
Technology**



**High Gain Polarised and Light Reducing Screen**



**HGPLR  
Technology**